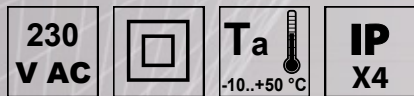







VF Bathroom fans




Front panel with grille

TRACON					A	B	C	D	
VF100-B	✓	—	—	—	161x161 mm	22 mm	55 mm	98 mm	100 mm
VF100-BT	✓	—	—	✓	161x161 mm	22 mm	55 mm	98 mm	100 mm
VF100-BTS	✓	✓	—	✓	161x161 mm	22 mm	55 mm	98 mm	100 mm
VF100-BTSH	✓	✓	✓	✓	161x161 mm	22 mm	55 mm	98 mm	100 mm

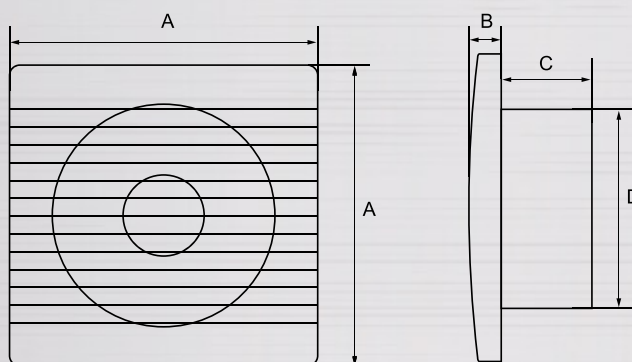
15 W

33 dB

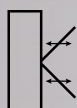
 80 m³/h



VF...



ball bearing



back draft shutter

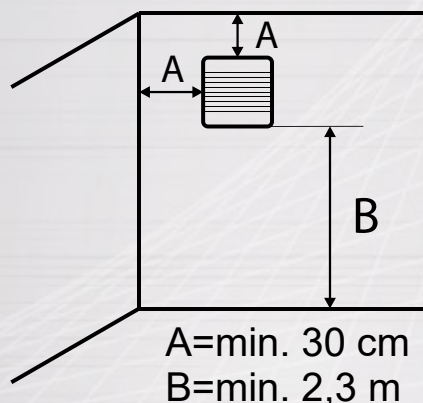


humidity



timer

1s-12min

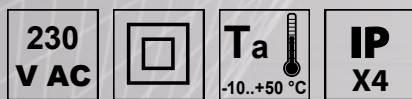


TRACON
ELECTRIC®

23 Pallag street, Dunakeszi • H-2120 • Hungary • Tel.: +36-27-540-005
www.tracon.hu • sales@tracon.hu

For further information please contact our resellers!

VF Bathroom fans



Front panel with automatic damper

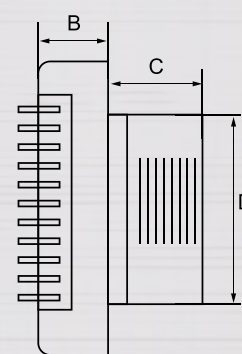
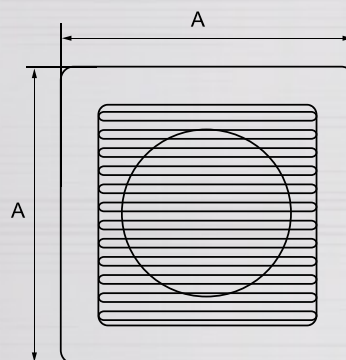
TRACON			 0,rel % 40-100	 1s-20min	A	B	C	D	
VFM100-B	✓	-	-	-	150x150 mm	50 mm	42 mm	98 mm	100 mm
VFM100-BT	✓	-	-	✓	150x150 mm	50 mm	42 mm	98 mm	100 mm
VFM100-BTH	✓	-	✓	✓	150x150 mm	50 mm	42 mm	98 mm	100 mm

15 W

33 dB

80 m³/h

VFM...



Exterior grilles

TRACON	Sizes, properties
VFG100	151×151×45 mm, D=96 mm
VFS100	151×151×45 mm, D=96 mm

VFG100



VFS100



TRACON
ELECTRIC®

23 Pallag street, Dunakeszi • H-2120 • Hungary • Tel.: +36-27-540-005
www.tracon.hu • sales@tracon.hu

For further information please contact our resellers!